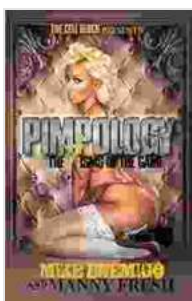


Pimpology: The Isms of the Game, Unveiling the Secrets of the Elite

In the enigmatic world of pimpology, power, manipulation, and allure intertwine to create a seductive tapestry of dominance. Master pimps, like puppeteers of human desire, orchestrate intricate games of control and manipulation, weaving webs of influence that ensnare their subjects.



Pimpology: The 7 isms of the Game by Huping Ling

★★★★☆ 4 out of 5

Language	: English
File size	: 3703 KB
Text-to-Speech	: Enabled
Screen Reader	: Supported
Enhanced typesetting	: Enabled
Word Wise	: Enabled
Print length	: 199 pages
Lending	: Enabled



This comprehensive guide unveils the hidden principles of pimpology, empowering you with the knowledge to navigate the treacherous terrain of the game. We shall delve into the captivating strategies, psychological tactics, and seductive techniques employed by these enigmatic figures, uncovering the secrets that grant them such unparalleled control.

The Isms of Pimpology

The "isms" of pimpology encompass a complex set of beliefs, philosophies, and principles that govern the actions and decision-making of master

pimps. These guiding tenets provide the foundation upon which their empires are built, shaping their interactions with clients, employees, and the world at large.

1. Machiavellianism



Drawing inspiration from the writings of Niccolò Machiavelli, the godfather of political strategy, pimps embrace the principles of Machiavellianism.

They view power as the ultimate goal, to be acquired and maintained by any means necessary. Deceit, manipulation, and even violence become permissible tools in their pursuit of dominance.

2. Paternalism



Pimps often adopt a paternalistic approach toward their employees, assuming the role of a "father figure" who provides protection, guidance,

and a sense of belonging. This facade of benevolence masks a more sinister reality, as pimps maintain absolute authority over their subordinates.

3. Patriarchy

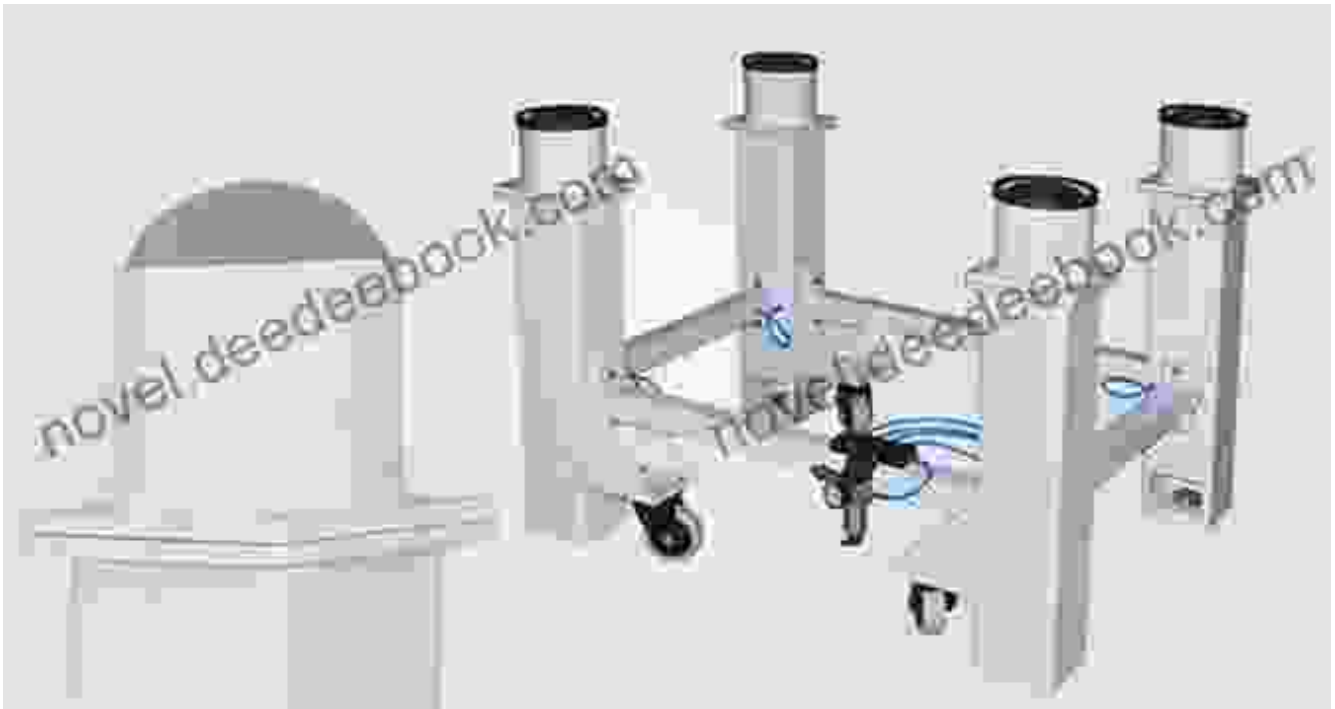


Pimpology is inherently patriarchal, reflecting the broader societal norms that privilege men over women. Pimps exert control over their employees through physical and psychological dominance, reinforcing the idea of male superiority.

Strategies of Control

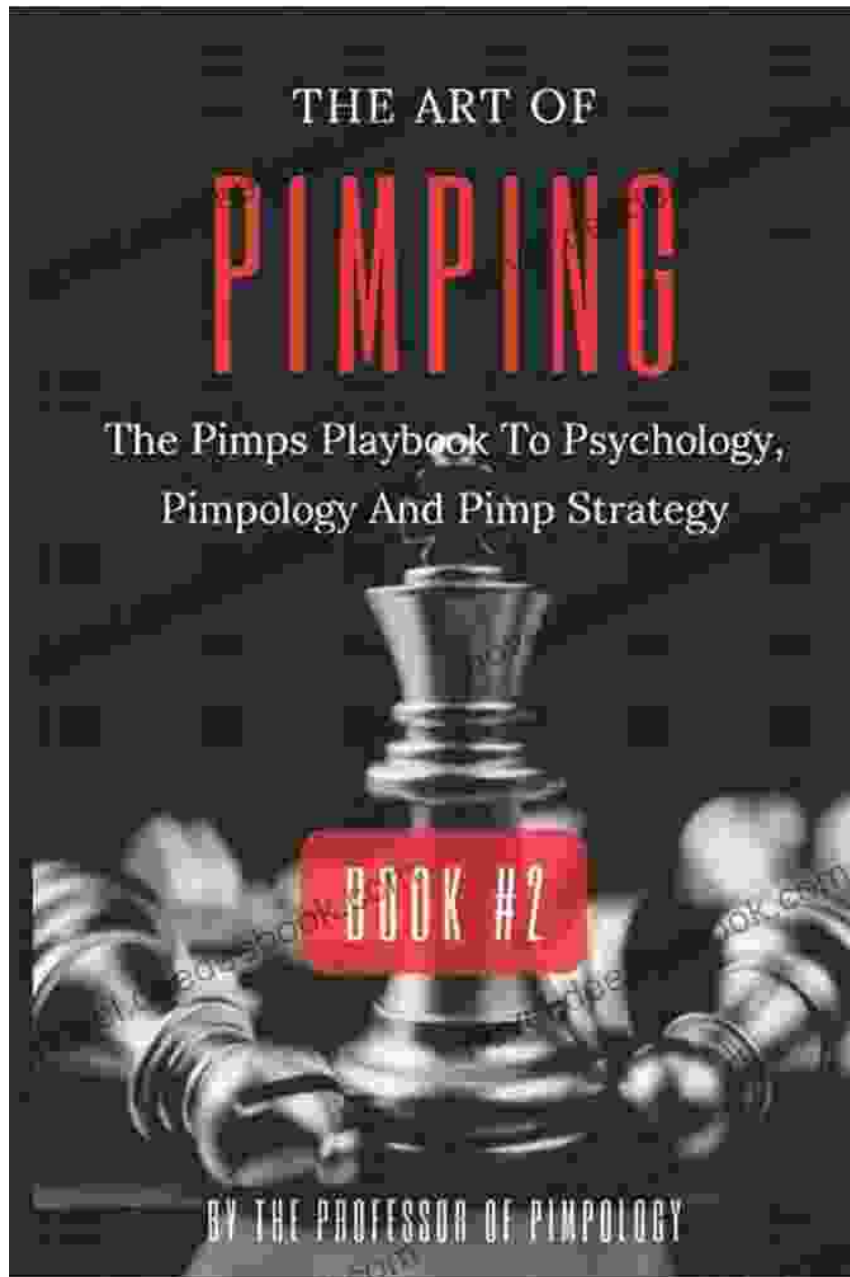
Master pimps employ a range of strategies to maintain their control over their empires. These tactics, honed over generations, form the backbone of their success, enabling them to manipulate and dominate with unmatched finesse.

1. Isolation and Control



Pimps isolate their employees from family, friends, and any potential sources of support. This creates a sense of dependency and reduces the likelihood of resistance or escape.

2. Psychological Manipulation



Pimps use a variety of psychological techniques to manipulate their employees' minds, instilling a sense of fear, loyalty, and obligation. They exploit vulnerabilities, create false promises, and employ threats to maintain their control.

3. Physical Intimidation



In some cases, pimps resort to physical intimidation to enforce their authority. Violence or the threat of violence becomes a powerful tool to suppress resistance and maintain order.

Seductive Techniques

Seduction is an essential tool in the pimp's arsenal. By mastering the art of attraction and manipulation, pimps entice clients and employees alike, drawing them into their web of control.

1. Charisma and Charm



Pimps possess an undeniable charisma that attracts both clients and employees. They exude confidence, charm, and an air of authority that draws people to them.

2. Grooming and Appearance

Good Grooming vs. Bad Grooming

27.5%

think that it shows their interest in the position

24.8%

think that it shows the candidate has good character

20.2%

think that it is an important job requirement



51.9%

say that tattoos and piercings are not allowed in their office

77.3%

think that you risk being negatively judged on your personal grooming and clothes

46.4%

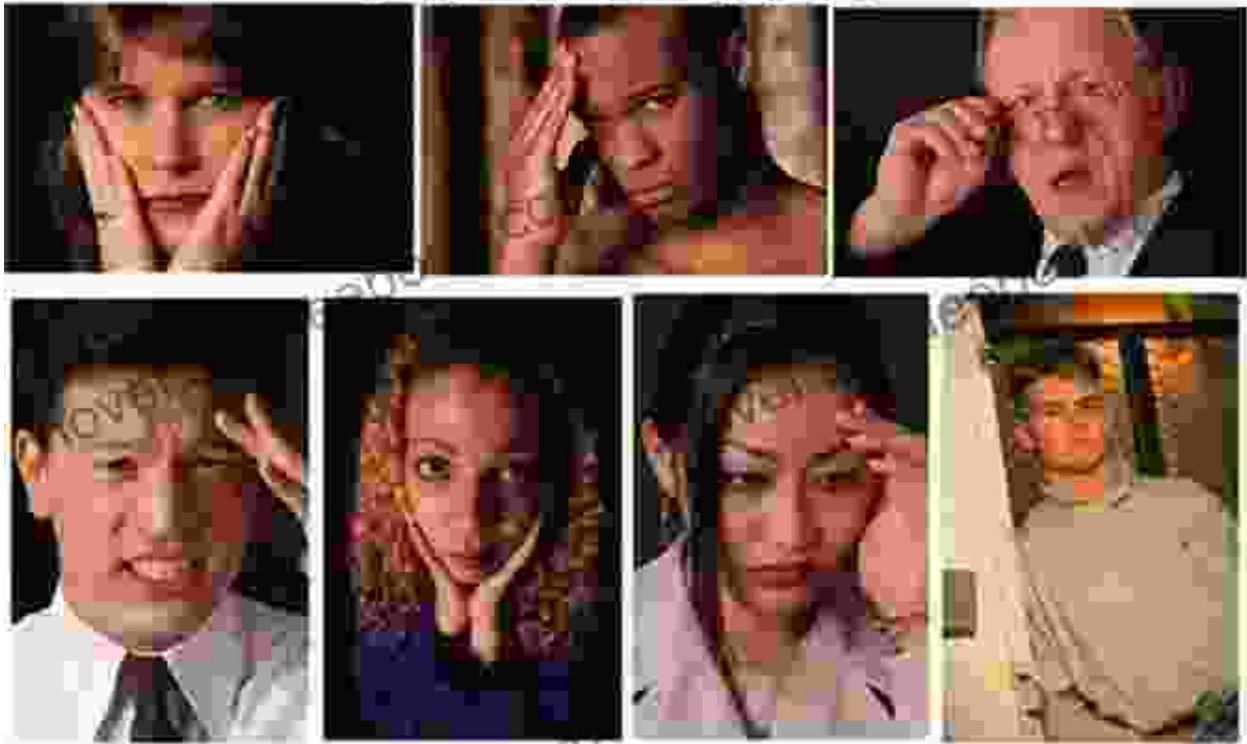
Pimps pay meticulous attention to their appearance, recognizing the power of visual appeal. They dress in expensive suits, drive luxury cars, and maintain a sophisticated demeanor to project an image of success and desirability.

The Psychology of Pimpology

Understanding the psychology of pimpology is crucial to comprehending the dynamics of this shadowy world. Pimps exploit the weaknesses and vulnerabilities of their employees, using their knowledge of human nature to manipulate and control.

1. Exploitation of Trauma

TARGETED INDIVIDUALS IS REAL!!!!



Pimps often target individuals who have experienced trauma or abuse, exploiting their vulnerabilities and offering a false sense of security. They create an environment of dependence and manipulation, further entangling their victims.

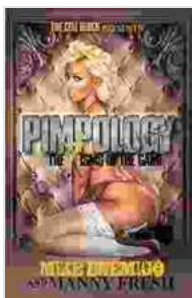
2. Cognitive Dissonance



Pimps create situations where their employees experience cognitive dissonance, a state of psychological discomfort that arises when one's actions conflict with one's beliefs or values. This dissonance can lead to self-justification and rationalization, ultimately reinforcing the pimp's control.

Pimpology is a complex and enigmatic world, where power, manipulation, and allure intertwine to create a seductive and dangerous game. Master pimps, with their Machiavellian cunning, paternalistic facades, and patriarchal dominance, wield immense influence over their empires. They employ isolation, psychological manipulation, and physical intimidation as strategies of control, while captivating clients and employees with their charisma, charm, and seductive techniques.

Understanding the psychology of pimpology is crucial to unraveling the dynamics of this hidden world. Pimps exploit the vulnerabilities and weaknesses of their victims, using their knowledge of human nature to manipulate and control. By unveiling the isms and strategies of pimpology, we can empower individuals to recognize and resist the insidious tactics employed by these enigmatic figures.



Pimpology: The 7 isms of the Game by Huping Ling

★★★★☆ 4 out of 5

- Language : English
- File size : 3703 KB
- Text-to-Speech : Enabled
- Screen Reader : Supported
- Enhanced typesetting : Enabled
- Word Wise : Enabled
- Print length : 199 pages
- Lending : Enabled



Performing Asian American Women On Screen And Scene

The representation of Asian American women on screen and stage has undergone a significant evolution in recent decades, reflecting the growing visibility and influence of the...



Girl Can Draw: A Spirited and Inspiring Play by Joe Penhall

Prologue In the realm of contemporary drama, Joe Penhall's "Girl Can Draw" stands as a beacon of inspiration and thought-provoking storytelling. This...